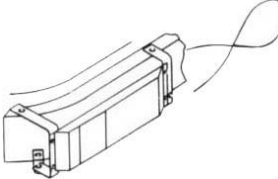
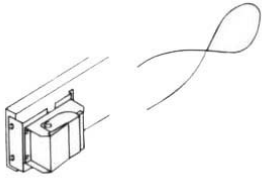

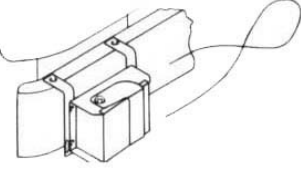

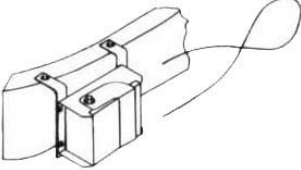


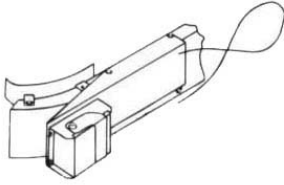
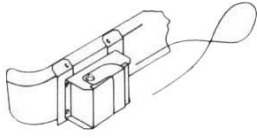
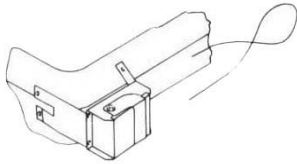
MOUNTING BRACKET KITS FOR CROSSING CONTROL ARMS

Proper installation and mounting of crossing arms is essential to provide greater operating efficiency. The applications listed below are the most popular kits which are known to work as they were intended. These kits may, and, in fact, probably do work in other applications. Please consult Specialty Manufacturing Company's Engineering Department if a question arises as to a possible application.

All kits include brackets and mounting hardware necessary for their designed application.

KIT NO.	DRAWING	DESCRIPTION
08300782		Navistar 3000 chassis from 1989 to present. Use with air and vacuum units. Bus must have swept back bumper. Does not include splash shield. 8040
(8041)		Designed for buses using a flat bumper. Typical applications include Ford and Navistar. Can be used with 5-Series, air, or vacuum units.
04322855		Ford B700 from 1984 to present. Bus must have contoured bumper. Can be used on 5-Series, air, or vacuum. Includes splash shield.
04322848		Designed for various model chassis. Can be used for 5-Series, air, and vacuum units. This kit has been used in the past on older model Ford, Chevrolet, GMC, International, and Ford Econoline Van (1980-1991). Includes splash shield for use on IH S1800.
04314357		Chevrolet chassis from 1990 to present. Bus must have contoured bumper. Can be used on 5-Series, air, or vacuum units.
(8047)		Thomas FWD control and pusher buses. This is a Thomas-exclusive kit, but may be usable on other chassis.

MOUNTING BRACKET KITS FOR CROSSING CONTROL ARMS, (CONT'D)

KIT NO.	DRAWING	DESCRIPTION
04322830		<p>Navistar 3000 from 1990 to present with flexible bumper. Fits 5-Series, air, or vacuum units. This bumper is similar to the standard bumper but has 18" plastic ends designed to break away in the event of a collision. This kit can also be used as an alternate to Kit #8039 on buses with all steel bumpers.</p>
08306672		<p>General Motors Van (Chevy, GMC) from early 1980s to present. Use with 5-Series and vacuum units. This chassis is used for Blue Bird Micro Bird.</p>
08306003		<p>Ford Econoline Vans 1992 to present. Fits 5-Series, air, and vacuum units.</p>

SPECIALTY CROSSING ARM ASSEMBLIES

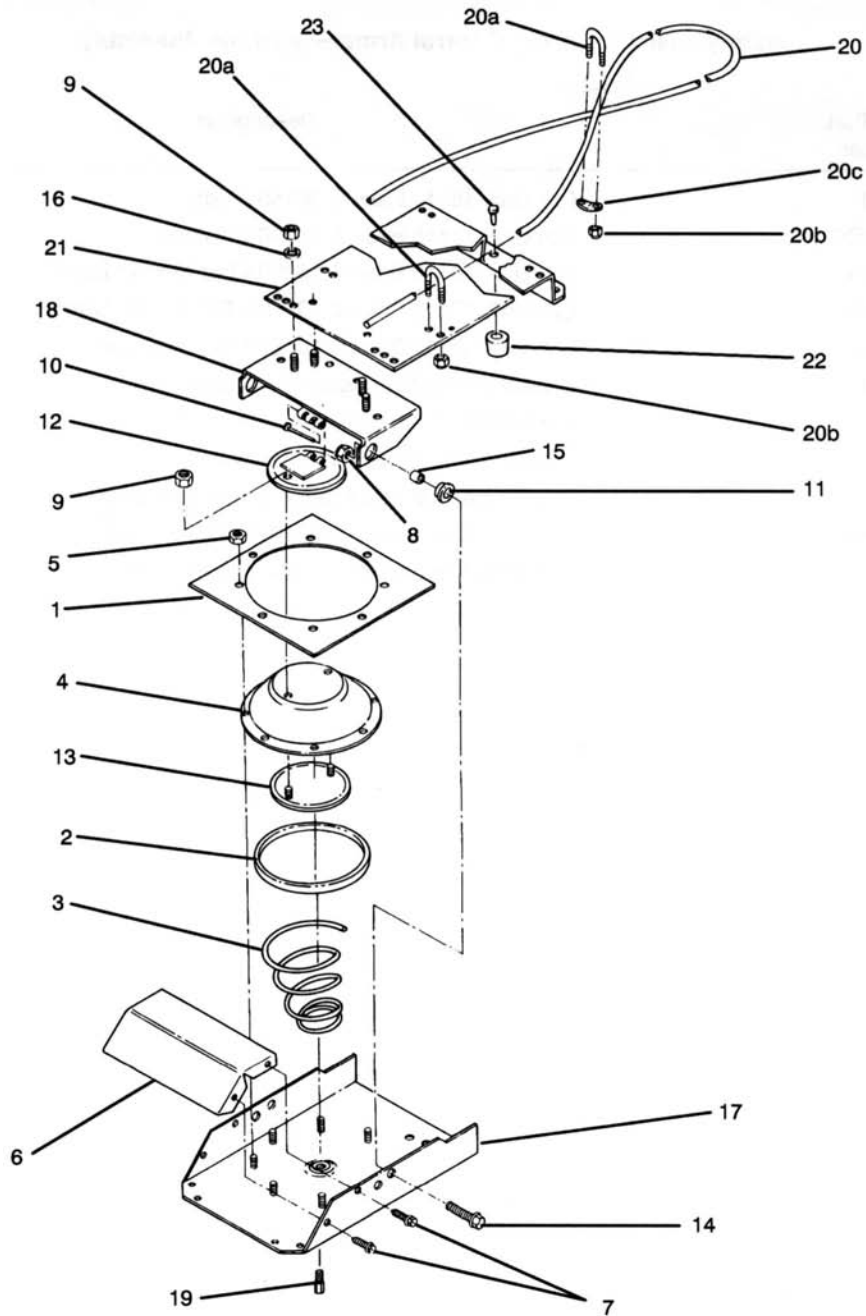
VACUUM	
(18100)	Vacuum crossing arm assembly, with figure 8 blade
08307621	Vacuum crossing arm assembly, with yellow poly blade

AIR	
01100718	Air crossing arm assembly, with figure 8 blade
04318077	Air crossing arm assembly, with yellow poly blade
04322558	Blade Only
00050028	Mtg Angle on Blade - Angled bracket that mounts to top plate

ELECTRIC	
	5-SERIES (Opt 3131)
04327565	Electric crossing arm assembly, 5-series, with figure 8 blade
04320982	Electric crossing arm assembly, 5-series, with yellow poly blade

ELECTRIC	
	6-SERIES
(68500)	Electric crossing arm assembly, 6-series, with figure 8-blade
(68600)	Electric crossing arm assembly, 6-series, with yellow poly blade

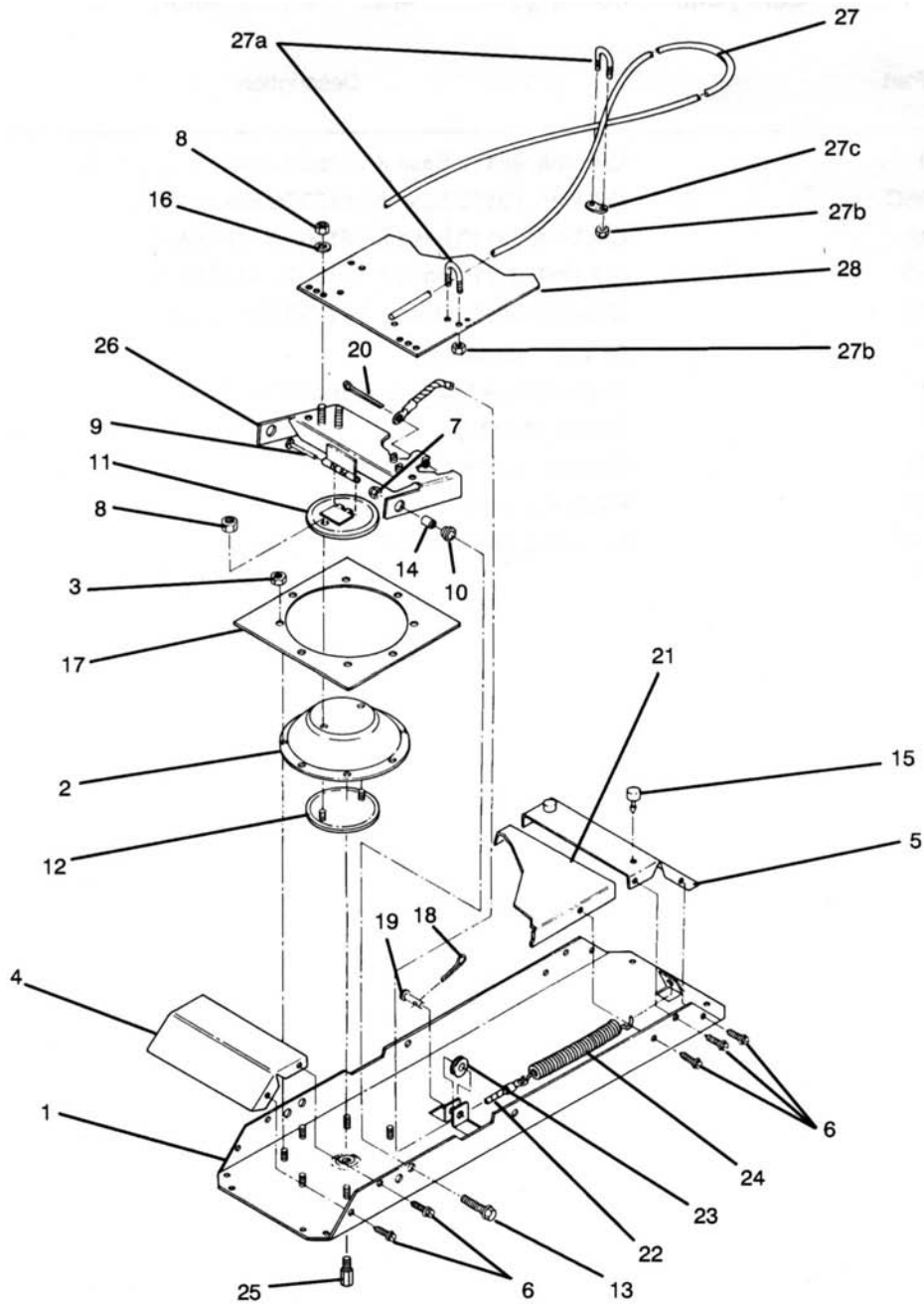
RETROFIT PLUMBING KITS	
00007163	Vacuum
00007164	Air
00026404	Electro Magnetic Kit
09022232	To, Crossing Blade, Poly - Bent to Fit Freightline Bumper
01101138	Round Rubber Mtg Bumper (Sold by Foot)



SafetyGuard Crossing Control Arms – Vacuum Assembly

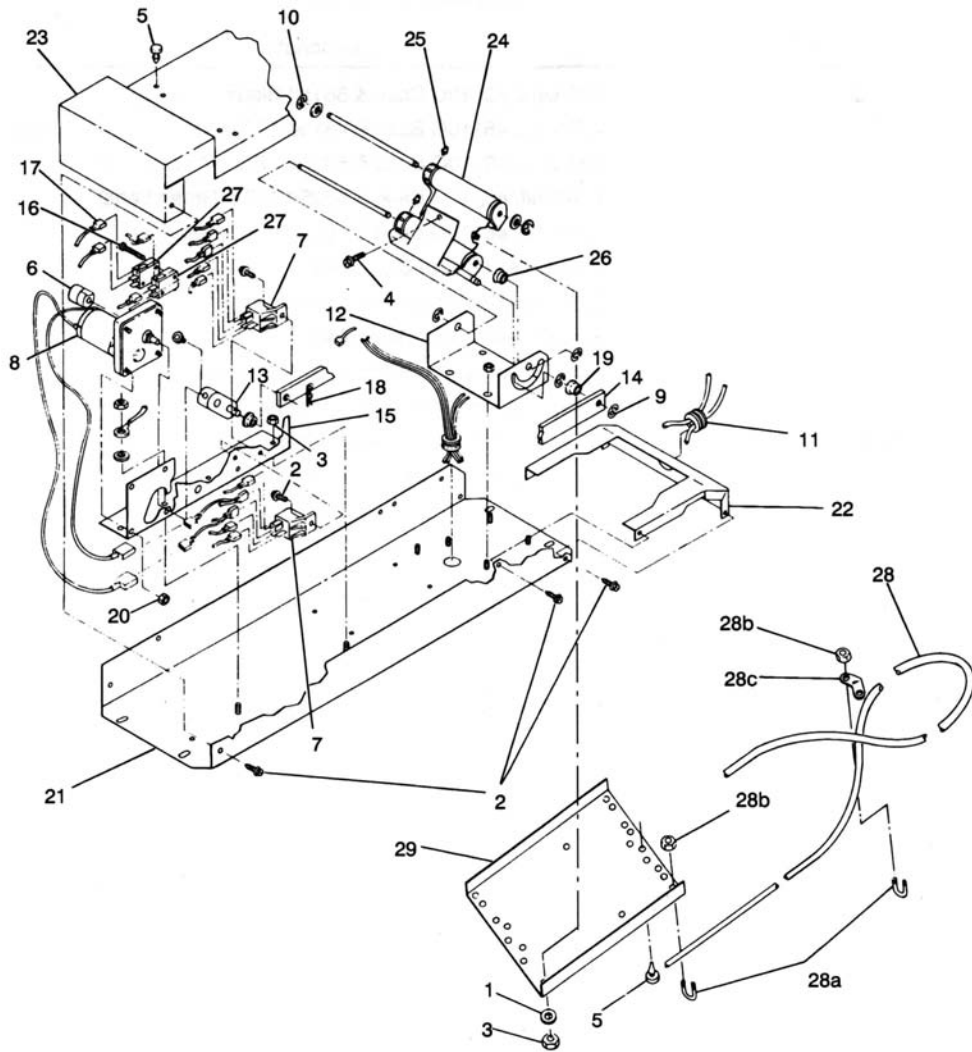
ITEM NO.	BLUE BIRD PART NO.	QTY	DESCRIPTION
	01217652		VACUUM CROSSING ARM BASE ASSEMBLY
1	02132314	1	Diaphragm Retaining Ring
2	02101046	1	Diaphragm Ring
3	02101053	1	Diaphragm Spring (Vacuum)
4	02101061	1	Diaphragm, Rubber boot
5	(111)	8	Hex Nut #10-32
6	02101079	1	Front End Cover Plate
7	02143626	4	#10 x 1/2" SMS Serrated
8	04308763	2	1/4-20 Insert Locknut
9	02001329	6	1/4-20 Hex Nut
10	02101095	1	Hinge Pin
11	02101103	2	Outer Bearing
12	02102150	1	Outer Diaphragm Plate
13	02132298	1	Inner Diaphragm Plate
14	02132306	2	Bolt, 1/2"-20 x 3/4" RHMS
15	02101111	2	Inside Bearing
16	02132215	4	Inside Lockwasher
17	02132322	1	Crossing Arm Base with Studs
18	02132363	1	Crossing Arm Hinge Bracket
19	02154979	1	Restrictor

	01616382		UNIVERSAL CROSSING ARM BLADE ASSEMBLY
20	02132280	1	12 Ft. Aluminum Rod (Includes 20a, 20b, 20c)
20a	02132249	2	5/16" U-Bolt
20b	02141000	4	#10-20 Locknut
20c	02141018	1	U-Bolt Retainer
21	04325668	1	Universal Crossing Arm Plate
22	02153096	1	Center Rubber Bumper
23	(48190)	1	Pop Rivet



SafetyGuard Crossing Control Arms – Air Assembly

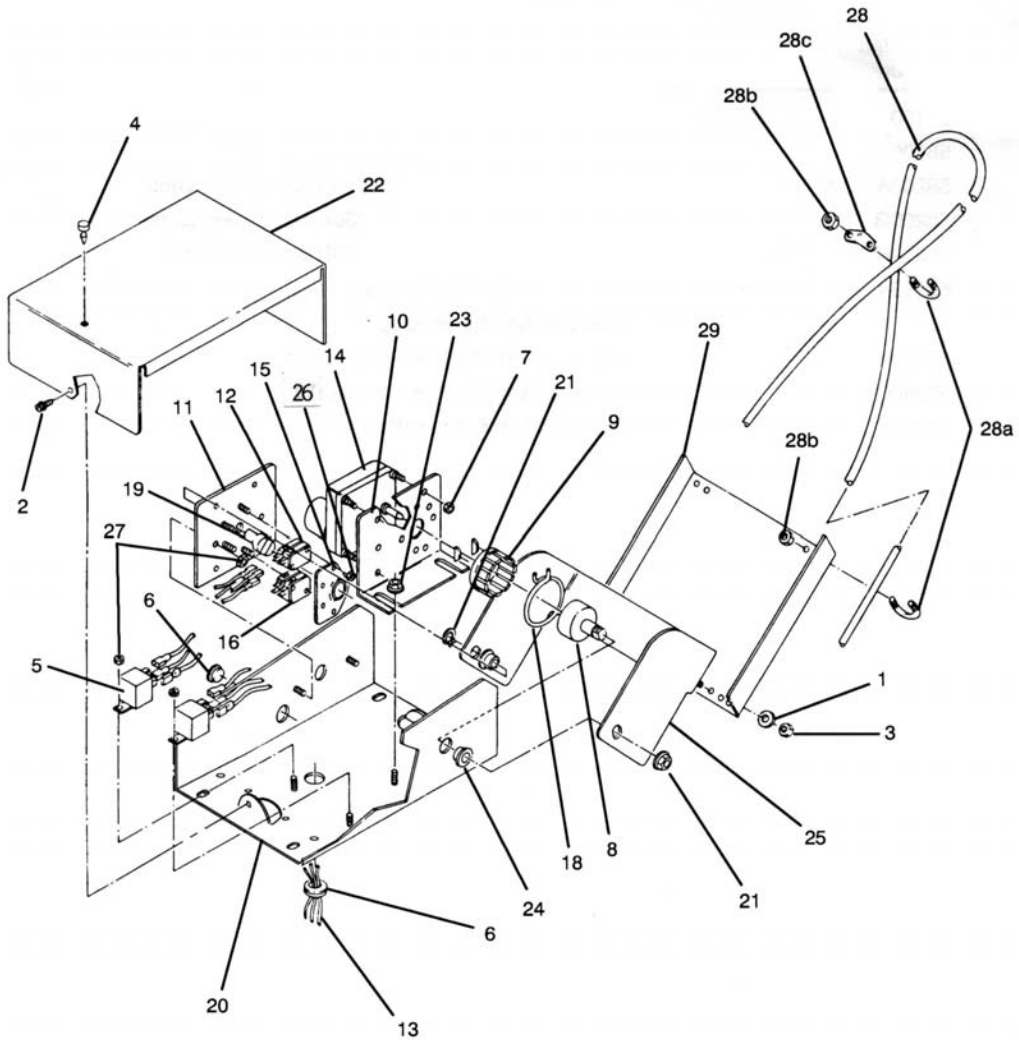
ITEM NO.	BLUE BIRD PART NO.	QTY	DESCRIPTION
	01217678		AIR CROSSING ARM BASE ASSEMBLY
1	02101012	1	Base with Studs
2	02101061	1	Diaphragm, Boot
3	04308870	8	Hex Nut #10-32
4	02101079	1	Front End Cover
5	02101087	1	Rear End Cover
6	02143626	12	#10 x 1/2" SMS Serrated
7	04308763	2	1/4-20 Nylon Insert Locknut
8	02001329	6	Hex Nut 1/4-20
9	02101095	1	Hinge Pin
10	02101103	2	Outer Bearing, Bushings, Roller
11	02102150	1	Outer Diaphragm Plate
12	02132298	1	Inner Diaphragm Plate
13	02132306	2	Bolt, 1/4-20 x 3/4" RHMS
14	02101111	2	Inner Bearing, Bushings, Roller
15	02101129	2	Rubber Bumper
16	02132215	4	Inside Lockwasher 1/4"
17	02132314	1	Diaphragm Retaining Ring
18	02132223	1	Cotter Pin, Zinc 1/16" x 1 1/2"
19	02101467	1	Clevis Pin, 1/4" x 3/4"
20	(2145)	1	Cotter Pin, 1/8" x 2 1/3"
21	02148476	1	Air Pan
22	02101483	1	Return Cable
23	02101491	1	Nylon Pulley
24	02101509	1	Air Return Spring
25	02154979	1	Restrictor
26	02102143	1	Hinge Plate Bracket, piece that holds x gate
	01616382		UNIVERSAL CROSSING ARM BLADE ASSEMBLY
27	02132280	1	12-Ft. Aluminum Rod (Includes 27a, 27b, 27c)
27a	02132249	2	5/16" U-Bolt
27b	02141000	4	Locknut 10-24
27c	02141018	1	U-Bolt Retainer
28	04325668	1	Universal Crossing Arm Plate



SafetyGuard Crossing Control Arms – 4000 Series Electric

ITEM NO.	BLUE BIRD PART NO.	QTY	DESCRIPTION
	01617786		ELECTRIC CROSSING ARM BASE ASSEMBLY – QUICK RETURN
1	02143618	4	Nylon Flat Washer 1/4"
2	02143626	11	#10 x 1/3" SMS Serrated
3	04308763	11	1/4-20 Nylon Insert Locknut
4	02132306	11	1/4-20 x 3/4" Hex Head Bolt
5	02101129	2	Rubber Bumper
6	04298162	1	Quick-Return Cam
7	01077718	2	Relay
8	04296356	1	Quick-Return Motor
9	08315129	2	Retaining Ring .243" x .500"
10	02143733	2	Retaining Ring .204" x .516"
11	02143774	2	Grommet
12	02143840	1	Hinge Bracket
13	02143857	1	Crank Arm
14	02143865	1	Connecting Bar
15	02143873	1	Motor Bracket
16	(4010)	2	#4 x 1" Type A Screw
17	(4014)	1	Quick-Return Wiring Harness
18	02143907	1	Hairpin Clip
19	02143923	2	Brass Bushing, 5/16" x 3/8"
20	04308870	5	#10-32 Nylon Insert Locknut
21	02143931	1	Electric Base w/Studs
22	02143949	1	Electric Housing Front Cover
23	02143956	1	Electric Housing Rear Cover
24	02143972	1	Electric Hinge 5"
25	02147767	2	Tension Pin
26	04290136	2	Hinge Bracket Flange Bushing
27	04285649	2	Microswitch

	01246602		ELECTRIC CROSSING ARM BLADE ASSEMBLY
	01616382		UNIVERSAL CROSSING ARM BLADE ASSEMBLY
	04322558		Yellow blade
28	02132280	1	12-Ft. Aluminum Rod (Includes 28a, 28b, 28c)
28a	02132249	2	U-Bolt 5/16"
28b	02141000	4	#10-24 Locknut
28c	02141018	1	U-Bolt Retainer
29	04325668	1	Universal Painted Plate



SafetyGuard Crossing Control Arms – 5-Series Electric

ITEM NO.	BLUE BIRD PART NO.	QTY	DESCRIPTION
	01617786		5-SERIES CROSSING ARM BASE ASSEMBLY Does not come with mtg brackets
1	02143618	4	Nylon Flat Washer 1/4"
2	02143626	2	#10 x 1/2" SMS Serrated
3	04308763	4	1/4-20 Nylon Locknut
4	02101129	1	Rubber Bumper
5	01077718	2	Relay
6	02143774	1	Grommet
7	04308870	4	#10-32 Hex Nylon Insert Locknut
8	04308672	1	Aluminum Slip Clutch, 5002
9	04308664	1	Plastic Clutch
10	04308656	1	Motor Bracket
11	04308649	1	Cam Bracket
12	04285649	3	Microswitch
13	04308631	1	Wiring Harness
14	04308623	1	5-Series Motor
15	04308615	1	Cam Positioner Brass Plate
16	04308607	1	Dummy Microswitch
17	04308771	1	Plastic Cap Plug (Not Shown)
18	04308581	1	#30 Roto Clip Clamp
19	04308599	1	Aluminum Cam – Threaded
20	04308789	1	Painted Base with Studs
21	04308714	2	1/2-20 Hex Wash Hd Whiz Nut
22	04308797	1	Painted Cover
23	04308888	2	1/4-20 Hed Hd Whiz Nut C
24	04308896	2	Bronze Bushing, Oil Impreg
25	04308730	1	Painted Hinge w/Studs
26	04308748	4	#4-40 Hex NyLk Inst Nut Cad
27	04308755	4	#8-32 Hex NyLk Inst Nut Cad

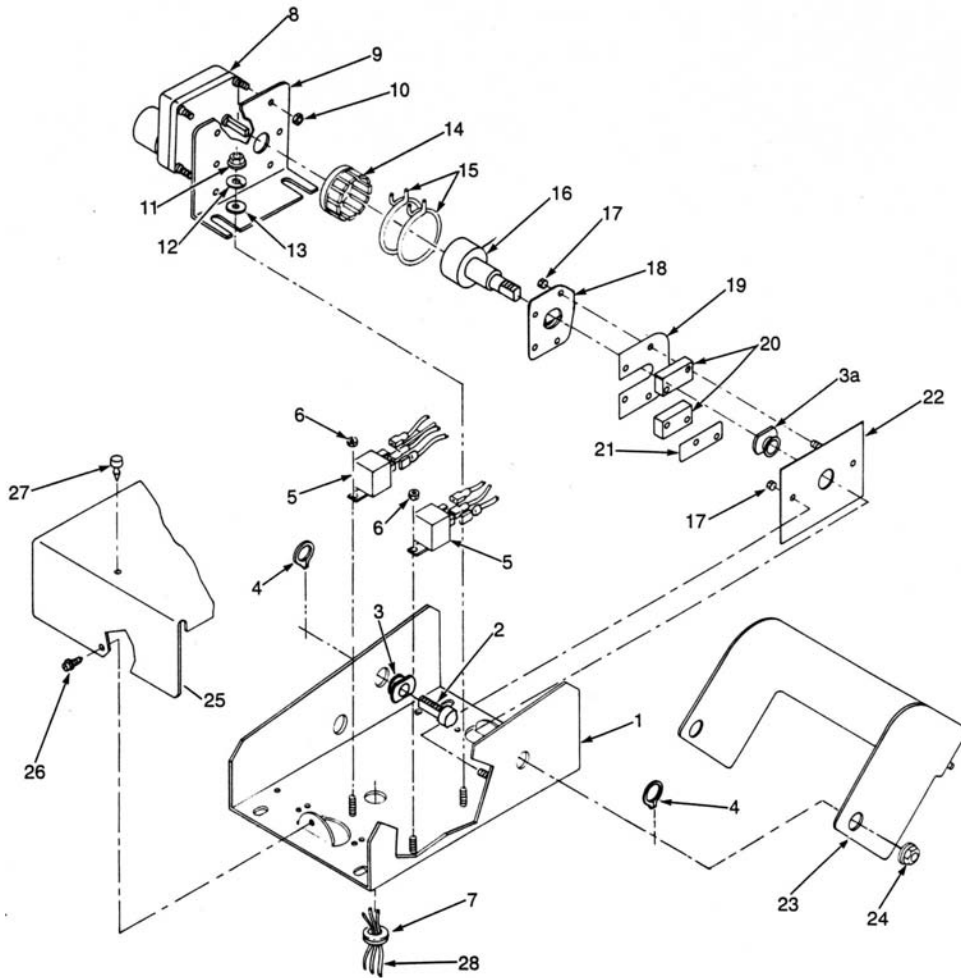
	01616382		5-SERIES CROSSING ARM BLADE ASSEMBLY
28	02132280	1	12-Ft. Aluminum Rod (Includes 28a, 28b, 28c)
28a	02132249	2	5/16" U-Bolt
28b	02141000	4	#10-24 Locknut
28c	02141018	1	U-Bolt Retainer
29	04325668	1	Universal Painted Plate - plate on bracket for rod
NI	01617786		Base, Crossing Control Arm, Electric
NI	01616325		Bracket, Mtg, Crossing Arm, 5.50
NI	01101138		Rubber Bushing, Round, 1.5 OD x .375 ID

MODEL 58106 CROSSING ARM BASE ASSEMBLY

CROSSING

13

ARMS



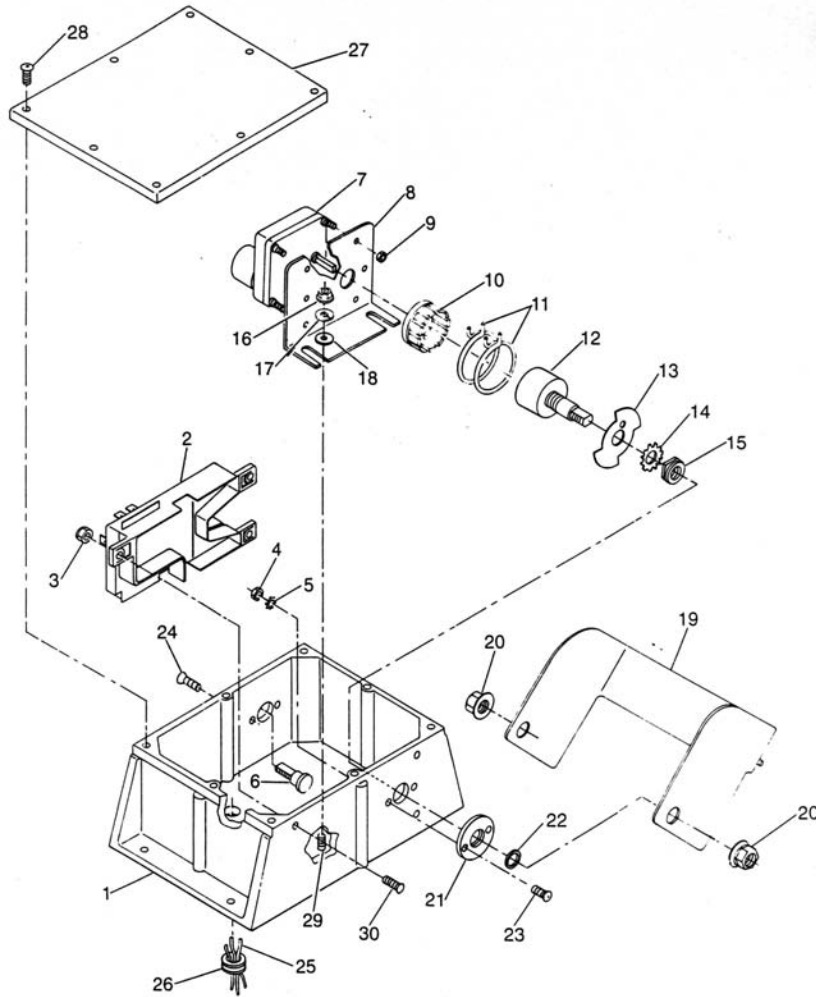
ITEM NO.	BLUE BIRD PART NO	QTY	DESCRIPTION
1	04308789	1	BASE, PAINTED WITH STUDS
2	08313546	1	HINGE PIN, INVERTED
3	08309551	1	BUSHING, NYLON WITH TAB
3A	04308896	1	BUSHING, NYLON, NO TAB
4	08309528	2	SNAP RING
5	01077718	2	RELAY
6	04308755	4	INSERT HEX NUT, NYLON 8-32
7	02143774	1	GROMMET
8	04308623	1	MOTOR
9	04308656	1	MOTOR BRACKET
10	04308870	4	HEX NUT
11	02001329	2	INSERT LOCKNUT
12	08309544	2	LOCK WASHER
13	(147)	2	WASHER, FLAT 1/4
14	04308664	1	CLUTCH, PLASTIC
15	04308581	2	ROTO CLIP
16	08313066	1	CLUTCH DRIVER/CAM, THREADED
17	04308748	4	#4-40 HEX NUT, SS
18	00006020	1	PLATE, FLAT - INVERTED
19	04323127	1	HEATER
20	04285649	2	MICROSWITCH
21	(5026)	2	MICROSWITCH INSULATOR
22	00006021	1	PLATE SWITCH MOUNTING/INV
23	04308730	1	HINGE, THREADED W/STUDS
24	04308714	2	1/2-20 HEX WASH HD WHIZ NUT
25	04308797	1	COVER, 5-SER X/A
26	02143626	2	10 X 1/2 HEX WASH HD SCREW
27	02101129	1	RUBBER BUMPER
28	(5021)	1	HARNESS, BASE QK-DISC. WIRING

MODEL 68106 CROSSING ARM BASE ASSEMBLY

C
R
O
S
S
I
N
G

13

A
R
M
S



ITEM NO.	BLUE BIRD PART NO.	QTY	DESCRIPTION
1	(68101)	1	Base, Cast Aluminum, Painted with Studs
2	00006022	1	Control Module
3	04308755	3	Nut 8-32, Nylon Lock
4	(1095)	4	Nut 8-32
5	(6146)	4	Washer #8, Ext. Lock
6	08313546	1	Hinge Pin
7	04308623	1	Electric Motor
8	04308656	1	Motor Bracket
	00006024	1	V-Seal for Motor (Not Shown)
9	04308870	4	Nut 10-32, Nylon Lock
10	04308664	1	Clutch Hub
11	04308581	2	Roto Clamp
12	00006025	1	Cam-Clutch, Dbl. Threaded
	02143618	4	Washer 1/4" Nylon (Not Shown)
13	00006026	1	Vane, Position Control
14	00006027	1	Washer 9/16", Star
15	00006028	1	Nut, 9/16-18, Jam-Modified
16	02001329	2	Nut, 1/4-20 Hex SS
17	08309544	2	Washer 1/4" Split SS
18	(147)	2	Washer, 1/4"
19	04308730	1	Hinge Bracket
20	04308714	2	Nut 3/4-16, Whiz
21	00006029	2	Bushing
22	00006030	2	Seal, Bushing-Shaft
	00006032	1	Gasket, Bushing (Not Shown)
23	(6136)	2	Screw, 8-32 x 1/2" FH Octal
24	(6137)	2	Screw, 8-32 x 5/8" FH Octal
25	(6119)	1	Harness
26	(6142)	1	Grommet
27	(68125)	1	Cover
28	(6138)	8	Screw, 10-32 x 3/8" Pan Octal
	(6130)	1	Positive Stop (Not Shown)
29	(6140)	2	Stud, Broaching 1/4-20 x 3/4"
30	(6139)	3	Stud, Broaching 8-32 x 5/8"

