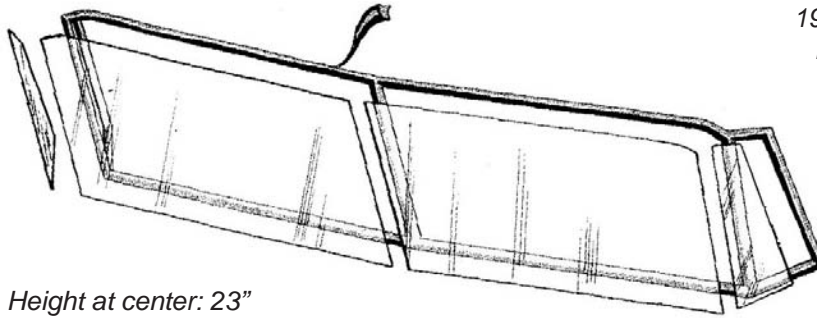


CONVENTIONAL WINDSHIELDS

4-PIECE FLAT FRONT



1967 and earlier
not available

Height at center: 23"

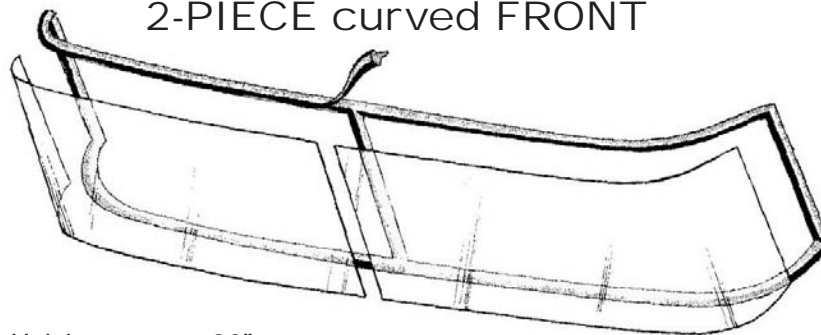
PART NO.	DESCRIPTION	YEARS USED
00357293	Glass, clear center	1968-Present
00357376	Glass, shaded center	1968-Present
00357368	Glass, tinted center	1968-Present
00218172	Glass, clear corner	1968-Present
00343848	*Glass, tinted corner	1968-Present
01387554	Windshield rubber seal	1968-Present
00269373	Fillerstrip (locking bead) windshield rubber 26 ft. required	1968-Present

All glass is safety plate.

All left and right hand windshields are the same.

* Also used with center shaded windshield.

2-PIECE curved FRONT



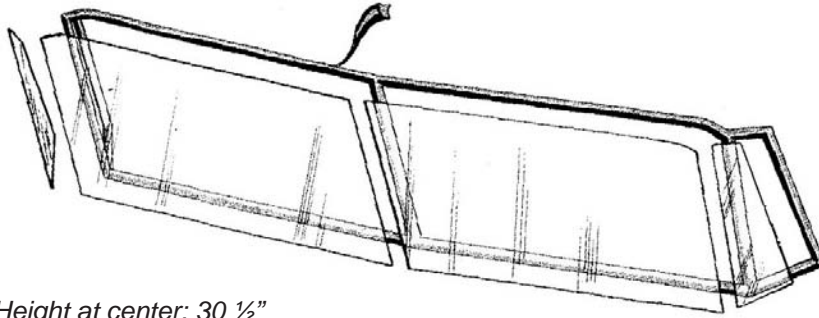
Height at center: 23"

PART NO.	DESCRIPTION	YEARS USED
00343822	Glass, shaded, right hand	1962-Present
00343830	Glass, shaded, left hand	1962-Present
00218800	Windshield rubber seal	1962-Present
00269373	Fillerstrip (locking bead) windshield rubber 23 ft. required	1962-Present

All glass is safety plate. All left and right hand windshields are the same.

TC/2000 WINDSHIELDS, 1987-1991

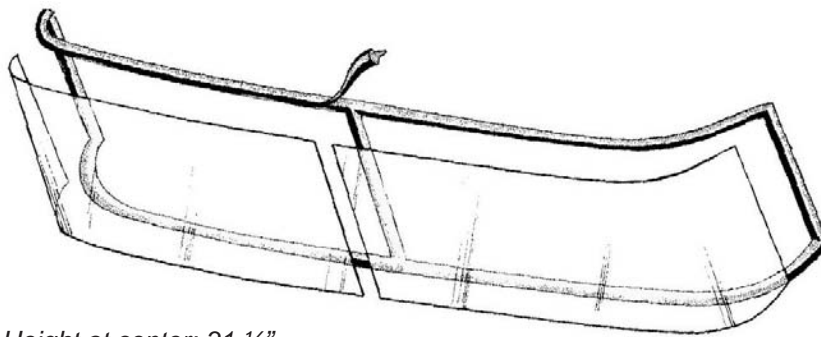
4-PIECE FLAT FRONT



Height at center: 30 1/2"

PART NO.	DESCRIPTION	YEARS USED
01327014	Glass, windshield clear	1987-1991
00357301	Glass, windshield tinted (Std)	1987-1991
00357335	Glass, windshield shaded	1987-1991
01327022	Glass, windshield corner, clear	1987-1991
01170810	Glass, windshield corner, tinted	1987-1991
00620310	Windshield rubber seal	1987-1991
00269373	Fillerstrip, glazing rubber, 26 ft. required	1987-1991

2-PIECE curved FRONT

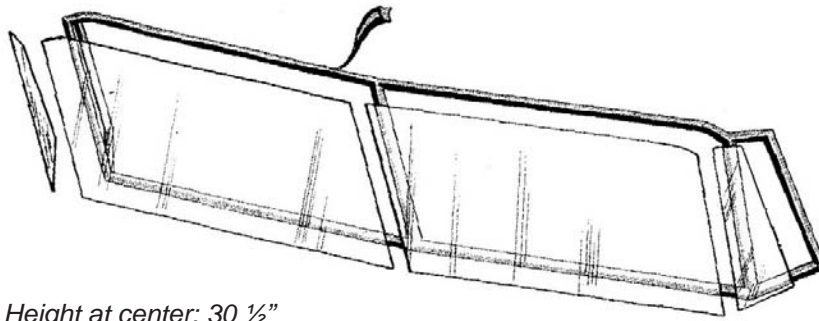


Height at center: 31 1/2"

PART NO.	DESCRIPTION	YEARS USED
00343723	Glass, windshield, RH, tinted (Std)	1987-1991
00343731	Glass, windshield, LH, tinted	1987-1991
00347203	Glass, windshield, RH, shaded	1987-1991
00347211	Glass, windshield, LH, shaded	1987-1991
01172006	Rubber, windshield seal	1987-1991
00269373	Fillerstrip, glazing rubber 25 ft. required	1987-1991

ALL AMERICAN WINDSHIELDS, 1962-1999

4-PIECE FLAT FRONT



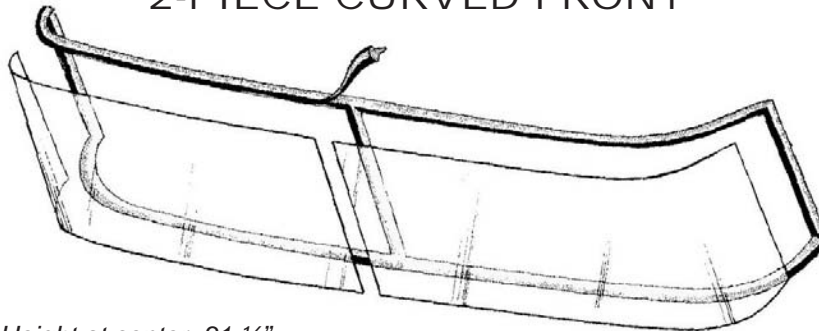
Height at center: 30 ½"

PART NO.	DESCRIPTION	YEARS USED
00357335	Glass, shaded center	1968-Present
00357301	Glass, tinted center	1968-Present
*01170810	Glass, w/s corner (for tinted and shaded)	1968-Present
00620310	Windshield rubber seal	1968-1986
00269373	Fillerstrip (locking bead) rubber 30 ft. required	1968-Present

All glass is safety plate.
All left and right hand windshields are the same.

* Also used with center shaded windshield.

2-PIECE CURVED FRONT



Height at center: 31 ½"

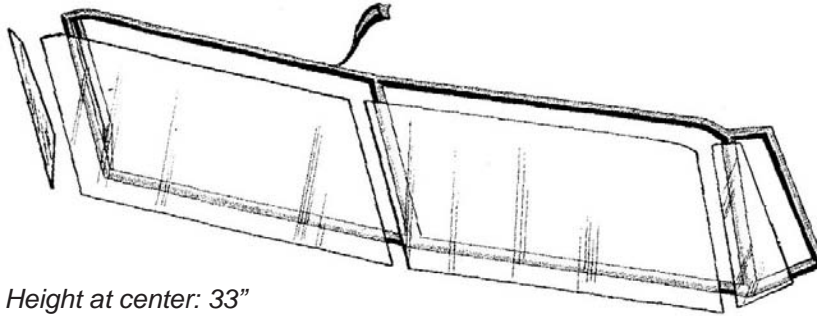
PART NO.	DESCRIPTION	YEARS USED
00347203	Glass, shaded, right hand	1962-Present
00347211	Glass, shaded, left hand	1962-Present
00343723	Glass tinted, right hand	1962-Present
00343731	Glass, tinted, left hand	1962-Present
01172006	Windshield rubber seal	1962-Present
00269373	Fillerstrip (locking bead) windshield rubber 23 ft. required	1962-Present

All glass is safety plate. All left and right hand windshields are the same.

ALL AMERICAN WINDSHIELDS, 1999-PRESENT
TC/2000 WINDSHIELDS, 1991-PRESENT

TC/2000, TC/1000, CS-Series, Transhuttle

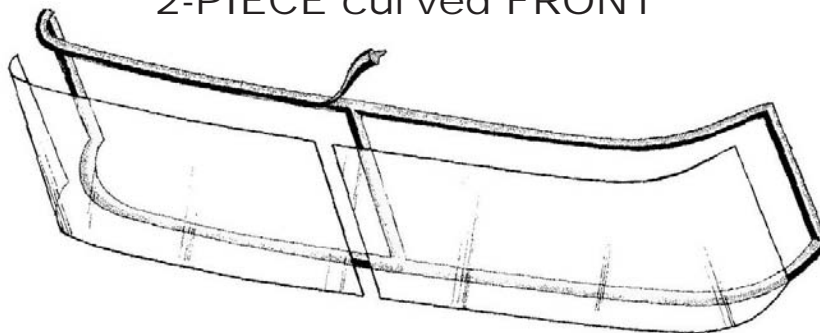
4-PIECE FLAT FRONT



Height at center: 33"

PART NO.	DESCRIPTION	YEARS USED
01551258	Glass, windshield clear	1991-Present
01551233	Glass, windshield tinted	1991-Present
01551241	Glass, windshield shaded	1991-Present
01551266	Glass, windshield corner, clear	1991-Present
01532399	Glass, windshield corner, tinted or shaded	1991-Present
01551167	Windshield rubber seal	1991-Present
00269373	Fillerstrip, seal rubber, 32 ft. required	1987-Present

2-PIECE curved FRONT

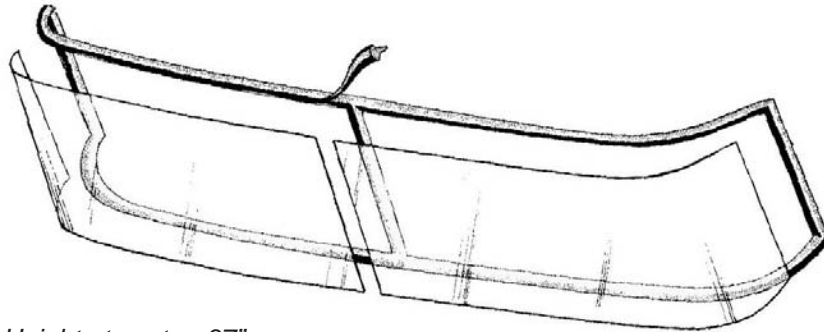


Height at center: 34 1/2"

PART NO.	DESCRIPTION	YEARS USED
01551183	Glass, windshield, RH, tinted (Std)	1991-Present
01551191	Glass, windshield, LH, tinted (Std)	1991-Present
01551209	Glass, windshield, RH, shaded	1991-Present
01551217	Glass, windshield, LH, shaded	1991-Present
01551159	Rubber, windshield seal	1991-Present
00269373	Fillerstrip, seal rubber 25 ft. required	1987-Present

Q-BUS WINDSHIELDS, 1991-PRESENT

2-PIECE CURVED FRONT



Height at center: 37"

PART NO.	DESCRIPTION	YEARS USED
06001929	Glass, windshield right hand	1991-Present
06001911	Glass, windshield left hand	1991-Present
01528298	Windshield rubber seal	1991-Present
00269373	Fillerstrip (locking bead), rubber, 25 ft. required	1991-Present

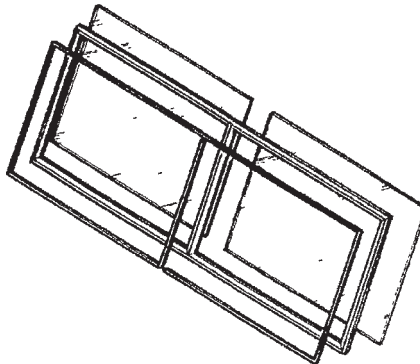
All glass is safety plate. All left and right hand windshields are the same.

7

G
L
A
S
S

MINI-BIRD BODY WINDSHIELDS

2-PIECE FLAT FRONT



PART NO.	DESCRIPTION	YEARS USED
01227511	Glass, windshield, shaded, green	1986-Present
01227503	Glass, windshield, tinted, green	1986-Present
01227537	Rubber, windshield seal	1986-Present
00269373	Fillerstrip, 22 ft. required	1986-Present

WINDOW GLASS - SPLIT SASH WINDOWS

28" and 35" Standard Split Sash, 9" Opening

01990647

- Complete window Assy 35" clear temp



VERTICAL

HORIZONTAL

GLAZING PART NO.	GLASS PART NO.	GLASS SIZE (VERT X HORIZ X THICKNESS)	COLOR	TYPE	UPPER OR LOWER	YEARS USED
02265510	02265502	10 7/8 x 25 x 1/8	Clear	Temp.	Upper/Lower	1981-Present
03831534	02165025	10 7/8 x 25 x 7/32	Clear	Temp.	Upper/Lower	1969-Present
02265510	01858539	10 7/8 x 25 x 1/8	Dk. Tint	Temp.	Upper/Lower	1995-Present
03831534	02165033	10 7/8 x 25 x 15/64	Clear	Lamn.	Upper/Lower	1969-Present
03831534	03800729	10 7/8 x 25 x 15/64	Gr. Tint	Lamn.	Upper/Lower	1985-Present
03831534	02210813	10 7/8 x 25 x 15/64	Bronze	Lamn.	Upper/Lower	1975-1985
03831534	03798527	10 7/8 x 25 x 15/64	Bronze	Lamn.	Upper/Lower	1985-Present
03831740	01509264	9 13/16 x 23 15/16 x 3/4	Clear	Storm	Upper/Lower	1969-Present
03831740	01518976	9 13/16 x 23 15/16 x 3/4	Bronze	Storm	Upper/Lower	1990-1997
03831740	01865716	9 13/16 x 23 15/16 x 3/4	Dk. Tint	Storm	Upper/Lower	1997-Present
03831567	02165058	10 7/8 x 32 x 7/32	Clear	Temp.	Upper/Lower	1969-Present
01863513	01877042	10 7/8 x 32 x 1/8	Dk. Tint	Temp.	Upper/Lower	1995-Present
03831567	02165066	10 7/8 x 32 x 15/64	Clear	Lamn.	Upper/Lower	1969-Present
03831567	03800737	10 7/8 x 32 x 15/64	Gr. Tint	Lamn.	Upper/Lower	1985-Present
03831567	02210821	10 7/8 x 32 x 15/64	Bronze	Lamn.	Upper/Lower	1975-Present
03831567	03798568	10 7/8 x 32 x 15/64	Bronze	Lamn.	Upper/Lower	1985-Present
03831773	01509272	9 13/16 x 30 15/16 x 3/4	Clear	Storm	Upper/Lower	1969-Present
03831773	01518984	9 13/16 x 30 15/16 x 3/4	Bronze	Storm	Upper/Lower	1990-1997
03831773	01865724	9 13/16 x 30 15/16 x 3/4	Dk. Tint	Storm	Upper/Lower	1997-Present
	01990639	10 7/8 x 32 x 1/8	Clear	Temp.		

Dk. Tint = Dark Tint
Gr. Tint = Green Tint

Temp. = Tempered
Lamn. = Laminated

02167393
• POW Switch

7

G
L
A
S
S

WINDOW GLASS - SPLIT SASH WINDOWS

Optional 12" Split Sash



VERTICAL

HORIZONTAL

GLAZING PART NO.	GLASS PART NO.	GLASS SIZE (VERT X HORIZ)	COLOR	TYPE	UPPER OR LOWER	YEARS USED
02168730	03805934	13 5/32 x 25	Clear	Lamn.	Lower	1979-1985
03805926	02236008	13 11/32 x 25	Clear	Lamn.	Lower	1985-Present
02168730	03805942	13 5/32 x 25	Bronze	Lamn.	Lower	1985
02168730	03805942	13 11/32 x 25	Bronze	Lamn.	Lower	1985-Present
01863505	01949676	13 5/32 x 25	Clear	Temp.	Lower	1997-Present
01863505	01883511	13 5/32 x 25	Dk. Tint	Temp.	Lower	1995-Present
03831153	03805967	13 5/32 x 25	Gr. Tint	Lamn.	Lower	1985-Present
03831757	01509298	12 9/32 x 23 15/16	Clear	Storm	Lower	1990-Present
03831757	01865740	12 9/32 x 23 15/16	Dk. Tint	Storm	Lower	1997-Present
02236271	02236065	13 5/32 x 32	Clear	Lamn.	Lower	1979-1985
02168730	03806171	13 11/32 x 32	Clear	Lamn.	Lower	1985-Present
02236271	03798055	13 5/32 x 32	Bronze	Lamn.	Lower	1985
02168730	03806189	13 11/32 X 32	Bronze	Lamn.	Lower	1985-Present
01877075	01949668	13 5/32 x 32	Clear	Temp.	Lower	1997-Present
01877075	01877067	13 5/32 x 32	Dk. Tint	Temp.	Lower	1995-Present
03831575	03806197	13 5/32 x 32	Gr. Tint	Lamn.	Lower	1985-Present
03831781	01509314	12 9/32 x 30 15/16	Clear	Storm	Lower	1990-Present
03831781	01865765	12 9/32 x 30 15/16	Dk. Tint	Storm	Lower	1997-Present

02000669
• Screw

Dk. Tint = Dark Tint
Gr. Tint = Green Tint

Temp. = Tempered
Lamn. = Laminated

01787704
• Washer, Triangle

04033254
• Window Washer, Round

CONTINUED ON NEXT PAGE

WINDOW GLASS - SPLIT SASH WINDOWS

Optional 12" Split Sash, cont'd



VERTICAL

HORIZONTAL

GLAZING PART NO.	GLASS PART NO.	GLASS SIZE (VERT X HORIZ)	COLOR	TYPE	UPPER OR LOWER	YEARS USED
02168730	02236008	13 5/32 x 25	Clear	Lamn.	Lower	1979-1985
03805926	03805934	13 11/32 x 25	Clear	Lamn.	Lower	1985-Present
02168730	03805942	13 5/32 x 25	Bronze	Lamn.	Lower	1985
02168730	03805942	13 11/32 x 25	Bronze	Lamn.	Lower	1985-Present
01863505	01949676	13 5/32 x 25	Clear	Temp.	Lower	1997-Present
01863505	01883511	13 5/32 x 25	Dk. Tint	Temp.	Lower	1995-Present
03831153	03805967	13 5/32 x 25	Gr. Tint	Lamn.	Lower	1985-Present
03831757	01509298	12 9/32 x 23 15/16	Clear	Storm	Lower	1990-Present
03831757	01865740	12 9/32 x 23 15/16	Dk. Tint	Storm	Lower	1997-Present
02236271	02236065	13 5/32 x 32	Clear	Lamn.	Lower	1979-1985
02168730	03806171	13 11/32 x 32	Clear	Lamn.	Lower	1985-Present
02236271	03798055	13 5/32 x 32	Bronze	Lamn.	Lower	1985
02168730	03806189	13 11/32 X 32	Bronze	Lamn.	Lower	1985-Present
01877075	01949668	13 5/32 x 32	Clear	Temp.	Lower	1997-Present
01877075	01877067	13 5/32 x 32	Dk. Tint	Temp.	Lower	1995-Present
03831575	03806197	13 5/32 x 32	Gr. Tint	Lamn.	Lower	1985-Present
03831781	01509314	12 9/32 x 30 15/16	Clear	Storm	Lower	1990-Present
03831781	01865765	12 9/32 x 30 15/16	Dk. Tint	Storm	Lower	1997-Present

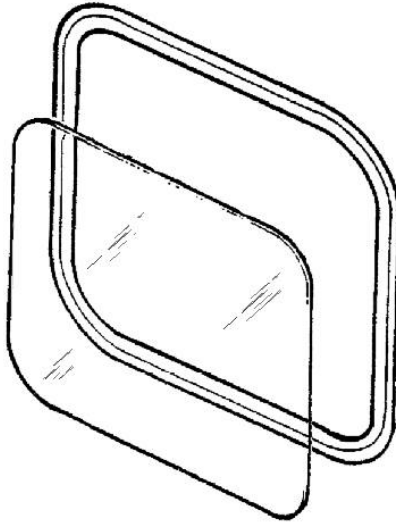
Dk. Tint = Dark Tint
Gr. Tint = Green Tint

Temp. = Tempered
Lamn. = Laminated

7

GLASS

REAR VISION GLASS



GLAZING PART NO.	GLASS PART NO.	GLASS SIZE	COLOR	TYPE	YEARS USED
01114321	01110154	20 15/16 x 21 11/32	Clear	Temp.	1985-Present
00906529	00648063	20 15/16 x 23 9/16	Clear	Lamn.	1975-1985
01114321	01110162	20 15/16 x 21 11/32	Clear	Lamn.	1985-Present
01114321	01163096	20 15/16 x 21 11/32	Bronze	Lamn.	1985-Present
01114321	01163104	20 15/16 x 21 11/32	Gr. Tint	Lamn.	1985-Present
01114321	01858646	20 15/16 x 21 11/32	Dk. Tint	Temp.	1995-Present

Dk. Tint = Dark Tint
Gr. Tint = Green Tint

Temp. = Tempered
Lamn. = Laminated

WINDOWS AND GLASS

REAR EMERGENCY DOOR GLASS

GLAZING PART NO.	GLASS PART NO.	GLASS SIZE	COLOR	TYPE	UPPER OR LOWER	YEARS USED
00906529	00648097	20 15/16 X 29 15/16	Clear	Lamn.	Upper	1974-1985
00906529	00803841	20 15/16 X 29 15/16	Bronze	Lamn.	Upper	1974-1985
00963066	00648121	20 15/16 X 29 15/16	Clear	Lamn.	Lower	1974-1985
00963066	00803833	20 15/16 x 34 3/8	Bronze	Lamn.	Lower	1974-1985
01114339	01110048	20 15/16 x 34 3/8	Clear	Temp.	Upper	1985-Present
01114339	01110055	20 15/16 x 34 3/8	Clear	Lamn.	Upper	1985-Present
01114339	01163195	20 15/16 x 34 3/8	Bronze	Lamn.	Upper	1985-Present
01114339	01163203	20 15/16 x 34 3/8	Green	Lamn.	Upper	1985-Present
01114339	01858661	20 15/16 x 34 3/8	Dk. Tint	Temp.	Upper	1995-Present
01114305	01565126	19 13/26 x 33 1/4	Clear	Storm	Upper	1985-Present
01114321	01110089	13 15/16 x 34 3/8	Clear	Temp.	Lower	1985-Present
01114321	01110097	13 15/16 x 34 3/8	Clear	Lamn.	Lower	1985-Present
01114321	01163179	13 15/16 x 34 3/8	Bronze	Lamn.	Lower	1985-Present
01114321	01163187	13 15/16 x 34 3/8	Green	Lamn.	Lower	1985-Present
01114321	01858653	13 15/16 x 34 3/8	Dk. Tint	Temp.	Lower	1995-Present
01114305	01565092	12 13/26 x 33 1/4	Clear	Storm	Lower	1985-Present

Storm = Thermo Pane Lamn. = Laminated Temp. = Tempered Bronze = Bronze Tint

Fillerstrip P/N 00269373 used with glazing. Sold by the foot.

01991306

- Window latch assembly
- Left hand

01991298

- Window latch assembly

003876380

- Right hand
- Striker plate latch

02265940

- Striker plate shim



02176584

- Actuator window latch
- Used with P/Ns 2176568 and 2176576
- 1976-Present
- 2 per window

02176568

- Window latch
- Left hand

02176579

- Window latch
- Right hand

03788825

- Spring
- Window latch
- Small
- 1969-1984
- 2 springs per window

03817558

- Spring
- Window latch
- Large
- 1985-Present